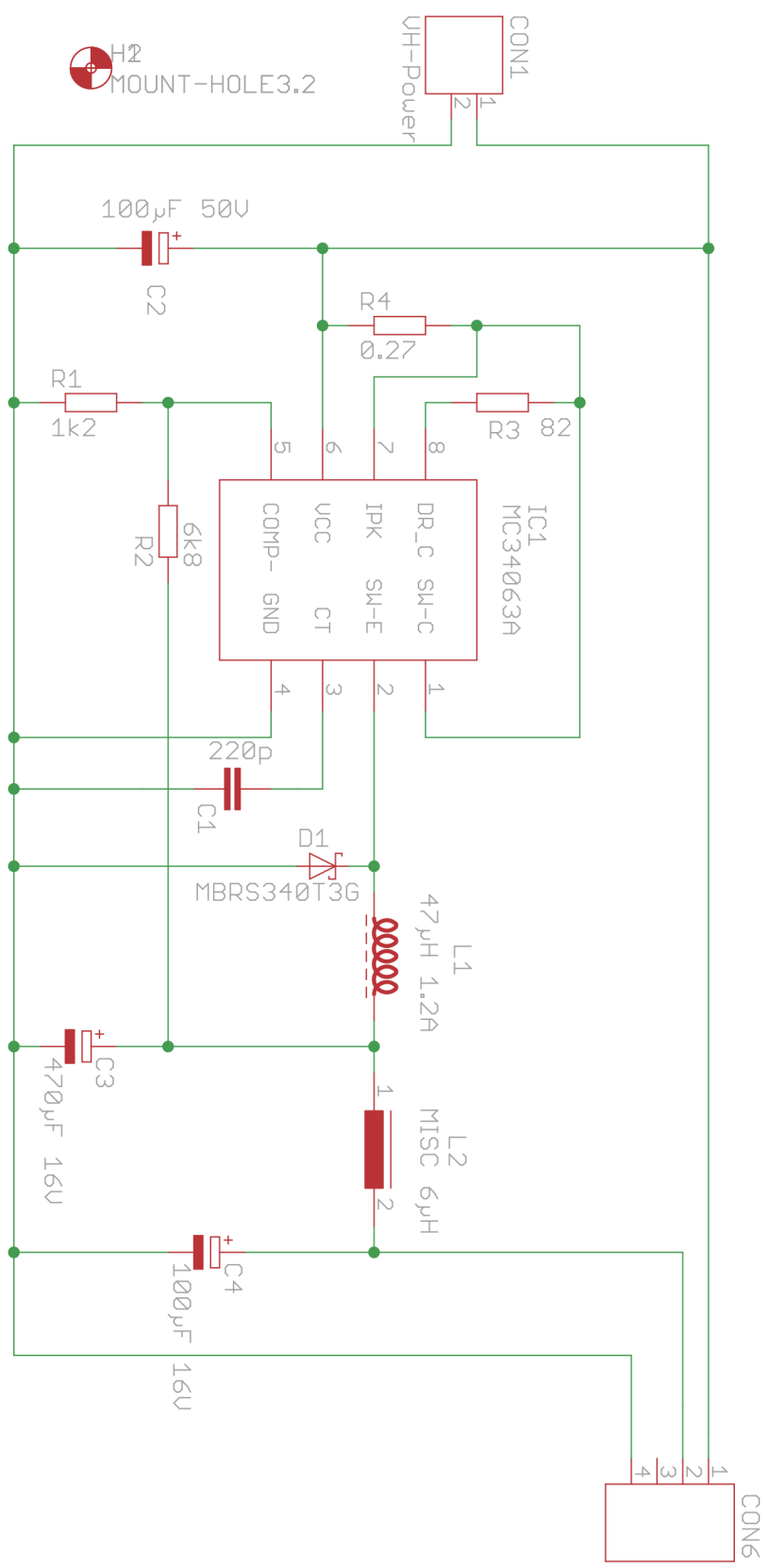
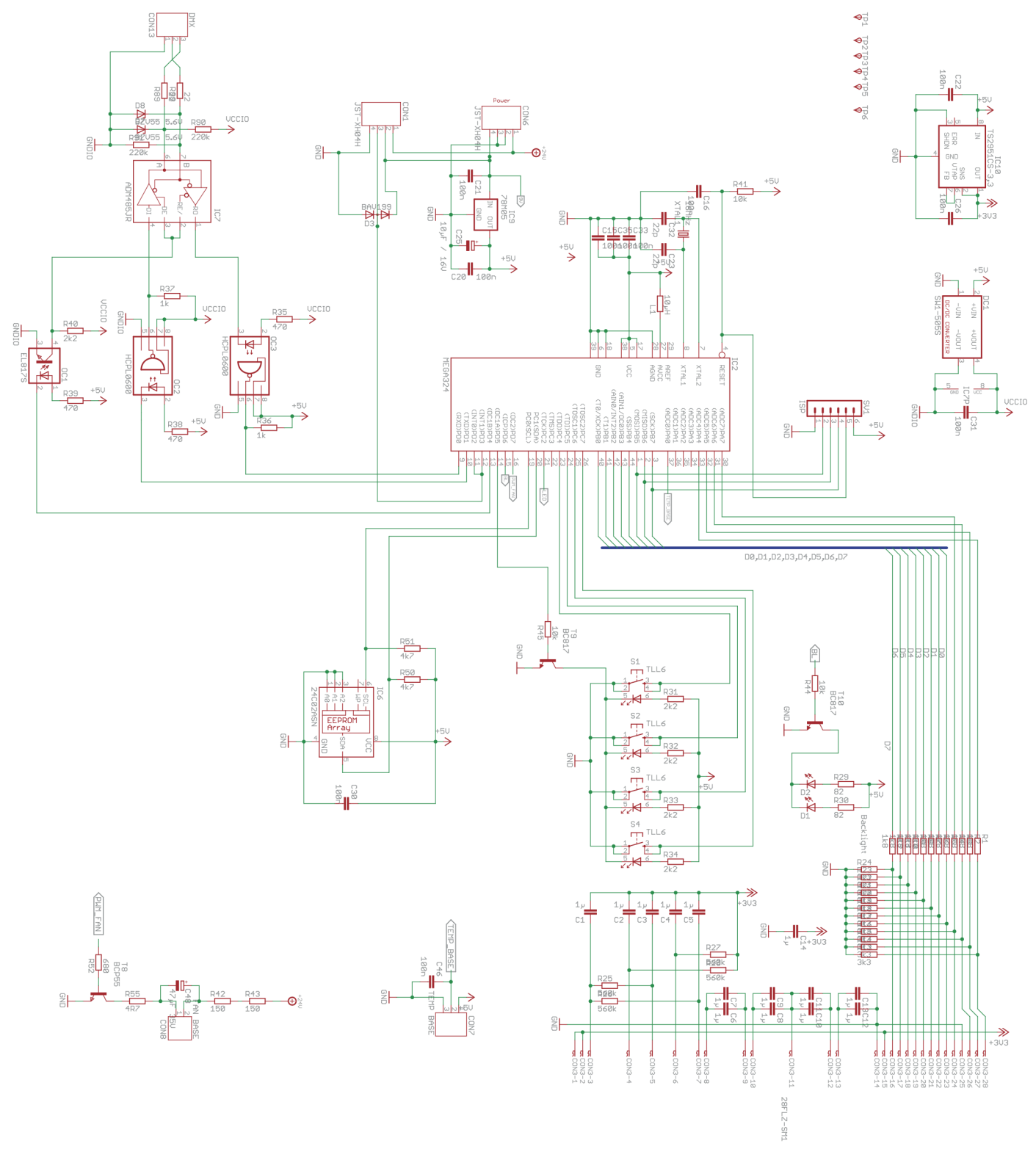


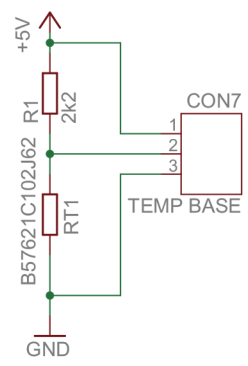
Schematic Diagram of VL60-DCDC



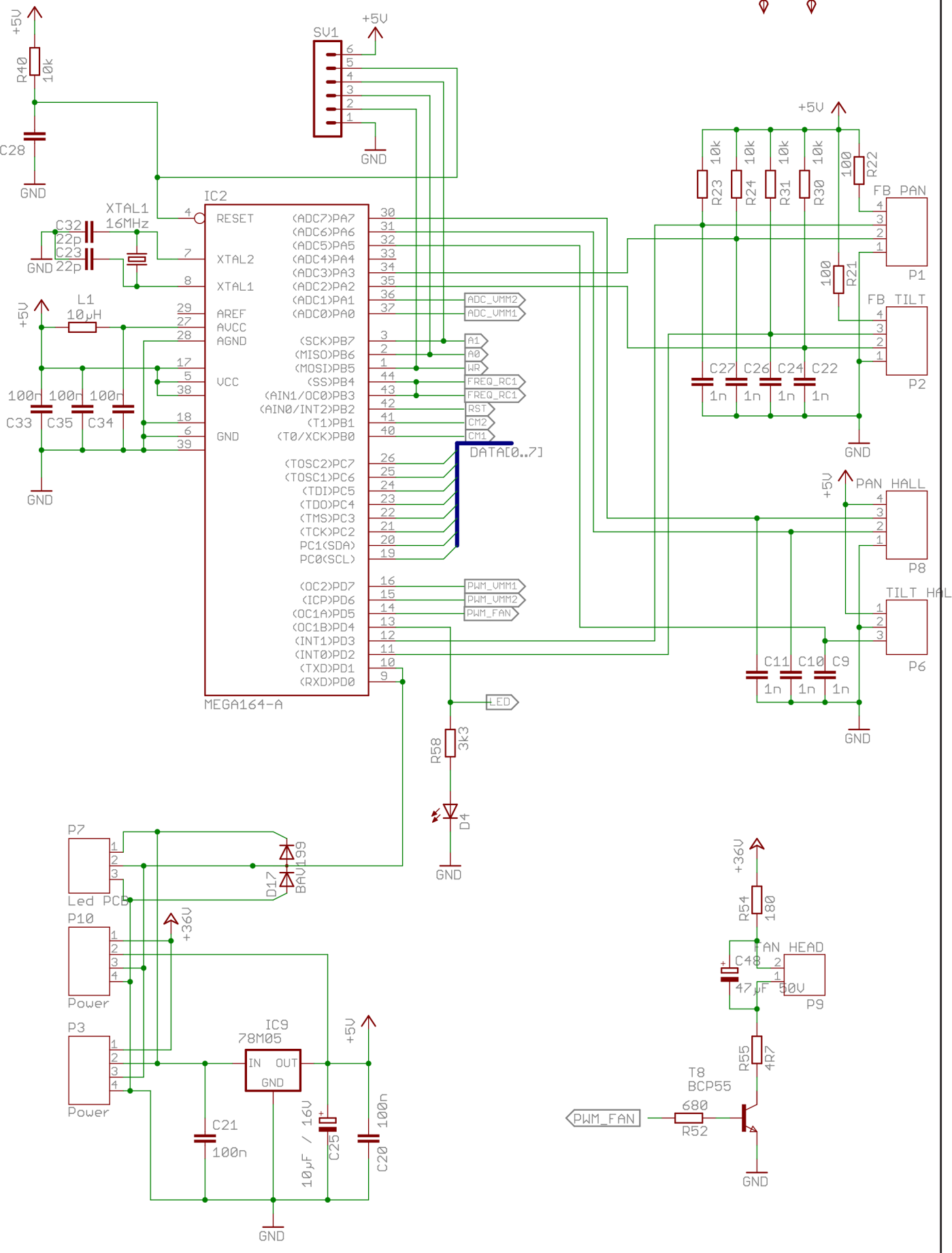
Schematic Diagram of VL60-MAIN

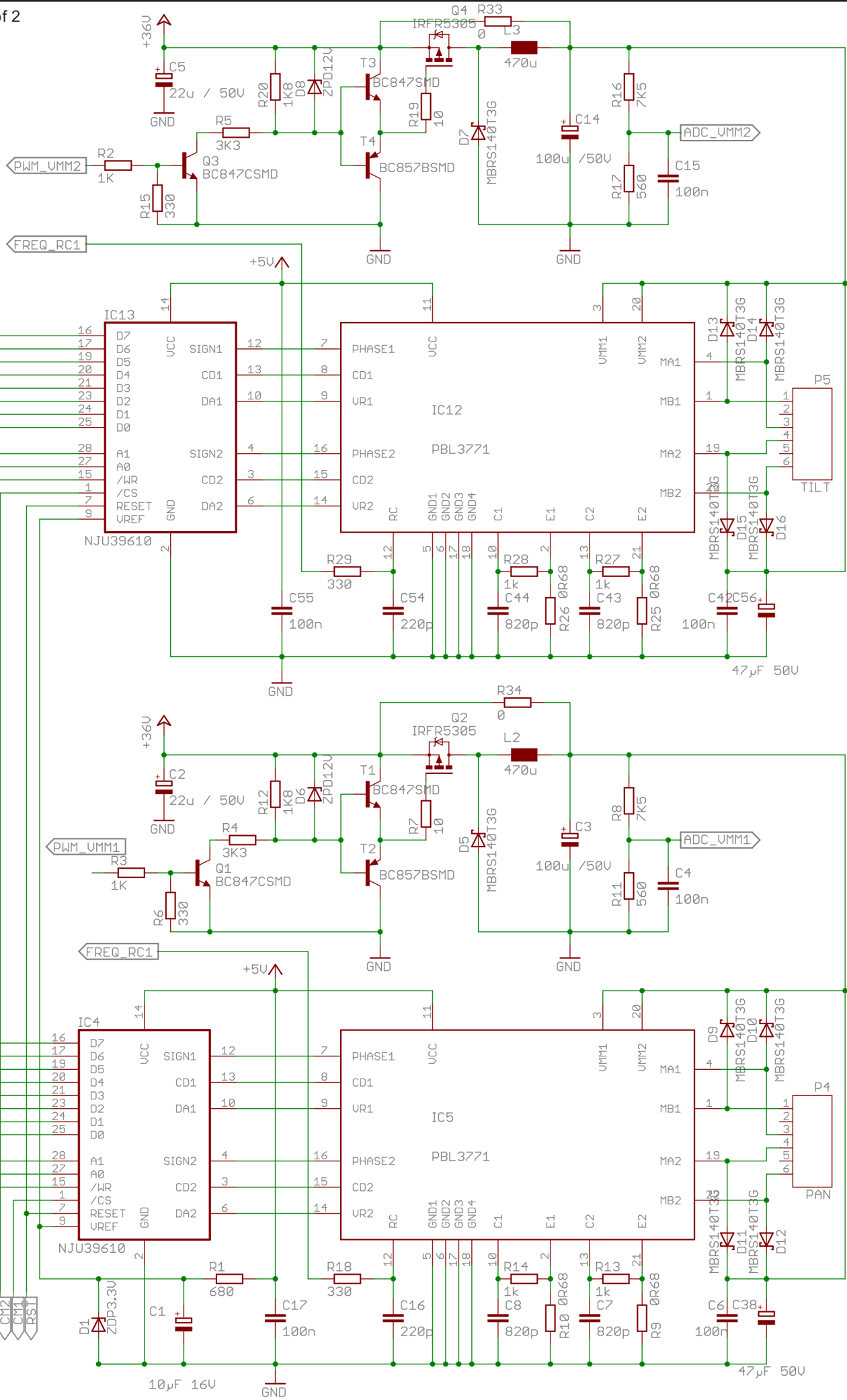


Schematic Diagram of VL60-TEMPSENSOR



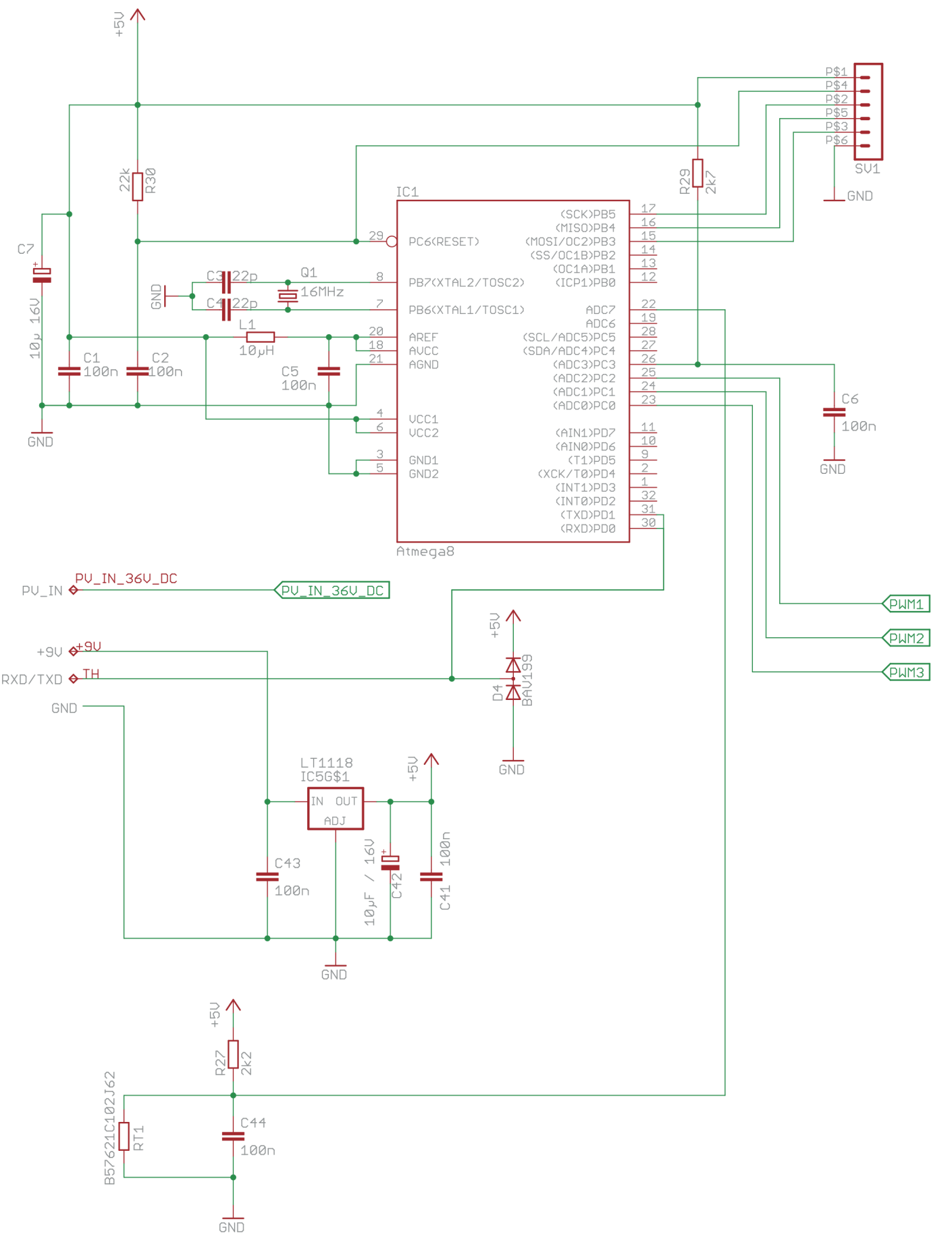
TP10 TP8 TP7 TP6
TP1 TP2

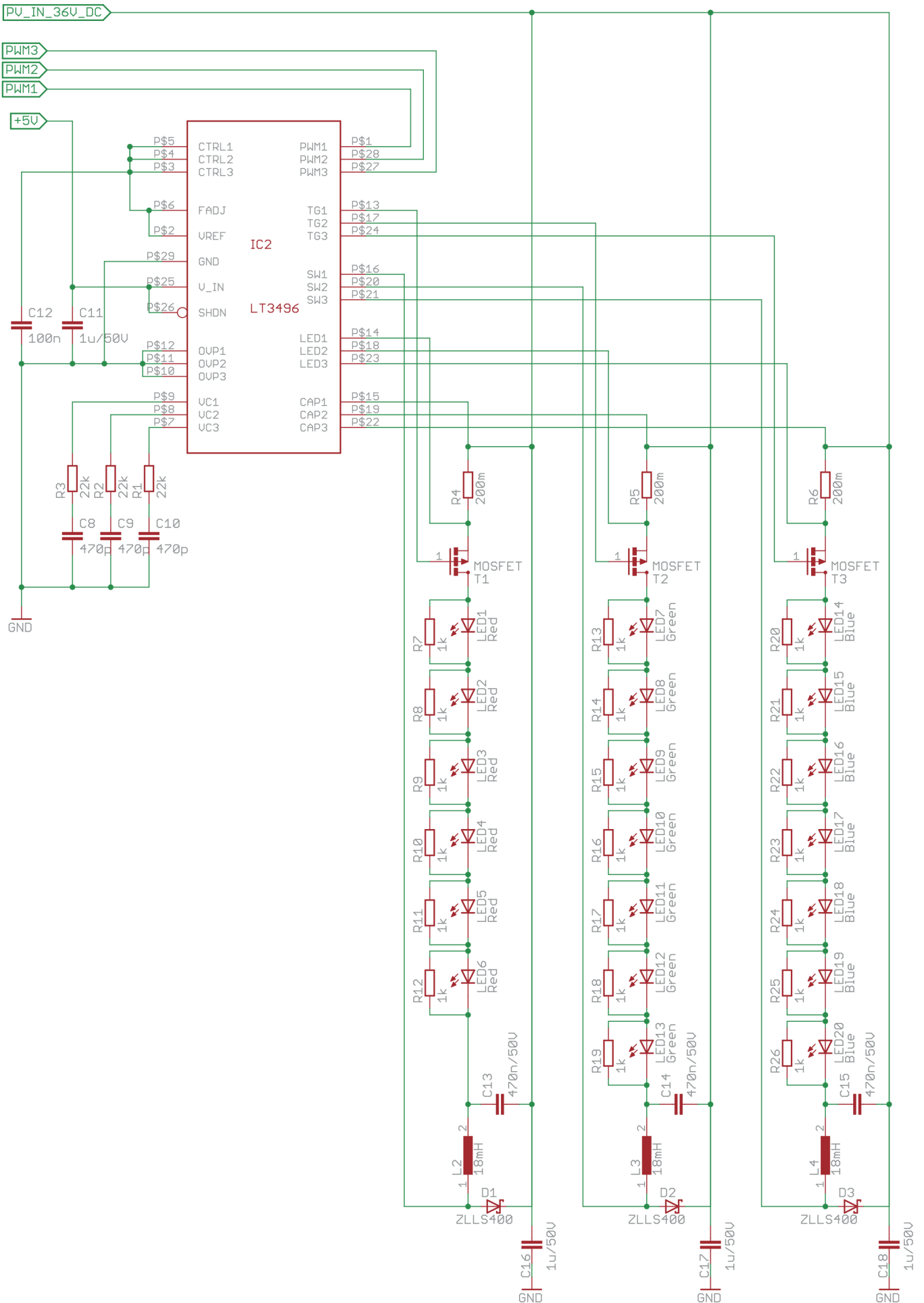




Schematic Diagram of VL60-LED

Sheet 1 of 4





Schematic Diagram of VL60-LED

Sheet 3 of 4

